



ProVISIO^S

User Guide

PF3S Series Pulse Laser RangeFinder Instruction Manual

Product Overview

Thank you for using MileSeey laser rangefinder, please read the instruction carefully before operation.

PF3S series adopts external display for easy reading, it possess great features of small size, light weight; thanks to ABS/PC body material, it offers more comfortable user experience and high protective standard for the device.

PF3S series applied Golf trajectory algorithm, TOF (Time of Flight) technologies, and 3D positioning technologies to achieve Golf slope adjusted, Golf scanning and Point-to-Point (P2P) measurement functions, etc.

PF3S series can achieve multifunctional measurement of Distance, Height, Angle, Speed, Golf slope adjusted and scanning, Point-to-Point measurement. It's a perfect outdoor assistant with amazing features of high accuracy, quick response, directly screen display and low power consumption.

Safety Instructions

ⓘ ⚠ Warning

- Do not stare into the laser beam.
- Eyes can be permanently damaged to look into sun with the device.
- Do not aim the device to the sun, it will cause permanent damage to inner components.
- Keep the eyepiece away from direct sunlight.
- Do not put the device out of the storage temperature of -20~60°C.
- When using this product, pay attention to the surface of the battery whether it's damaged, if there are signs of damages, you must replace the new battery immediately, Pay attention to the polarity of the battery according to the sign on the product, do not reverse the positive and negative poles.

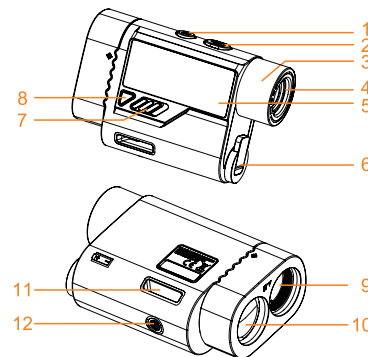
② Disposal

- Everyone is responsible for environmental protection.
- It's prohibited to dispose used batteries together with household waste, please collect used batteries to designated waste station.
- This product must not be recycled with household waste. Dispose of the product appropriately in accordance with the national regulations in your country.

③ Scope of Responsibility

Mileseey will not be responsible for any lose caused by unapproved accessories from other manufacturers, or misuse, disassembling of the product, and defects caused by them are not covered in warranty scope.

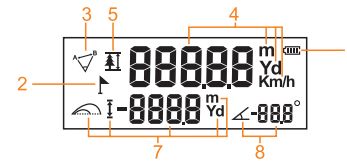
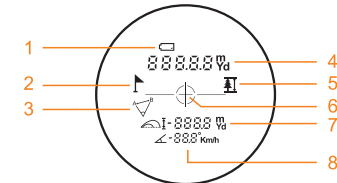
Appearance



1. Mode / Unit switch button
2. Power / Measure button
3. Eyepiece knob
4. Eyepiece
5. External display
6. Battery cover
7. Tilt angle switch (When the angle switch is turned off, angle-related functions cannot be used)
8. External display power switch
9. Objective Lens/Laser Emitter
10. Laser receiving lens
11. Wristband hole
12. Tripod screw hole

Icons on LCD Display

External Display Icons

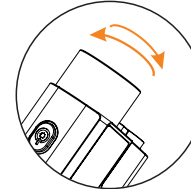


1. Low Battery Indicator
2. Golf Flag Scanning Icon
3. Point-to-Point (P2P) measurement
4. From Left To Right:
Eyepiece LCD shows: Measured distance, unit
Outside LCD shows: Measured distance, unit, speed unit.
5. Vertical height
6. Bull's eye
7. From Left To Right: Golf slope adjusted Icon/Vertical Height Icon/Golf slope adjusted Distance/Vertical Height / Unit
8. From Left To Right:
Eyepiece LCD shows: Angle icon, angle reading / speed reading, angle unit / speed unit
Outside LCD shows: Angle icon, angle reading

Initial Operation and Settings

Eyepiece

Adjust the eyepiece knob to focus the target.



Power ON/OFF

1. Press the power button to power ON.
2. Automatically switch off after 16s of inactivity.

External Display

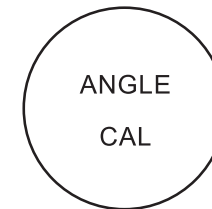
1. External display switch can turn ON/OFF the screen.
2. External display will switch off automatically after 16s of inactivity.

Angle Switch

When the angle switch is turned off, angle-related functions cannot be used. There are only two functions are available to use : Distance Measurement and Flagpole lock ranging mode.

Angle Calibration

This device is already calibrated by factory. If it gives wrong measurement, the device should be re-calibrated manually. Power off the device, press and hold the power button for 5s to enter into Calibration Interface, there will be letters "ANGLE CAL" shown on screen, put it still for several seconds to complete the calibration; if the calibration cannot be completed in long time, the device will turn off automatically in a minute, and calibration fails. The device will use factory calibration data to do calculation if the calibration failed.



Unit Change

Long press **M** to change the unit (m or Yd).

Operation Instructions

*Please adjust the eyepiece to focus the target before measuring. In the course of the measurement, if the target reflection is weak or is beyond the measuring range, it will display as "—".

*The measurement range will be affected by materials of the target, inclined angle of the target surface, visibility of the weather etc. In general, if the target surface is smooth and bright with larger area, the beam is perpendicular to the target surface and the weather is cloudy without fog, the measurement range will be longer, and vice versa.

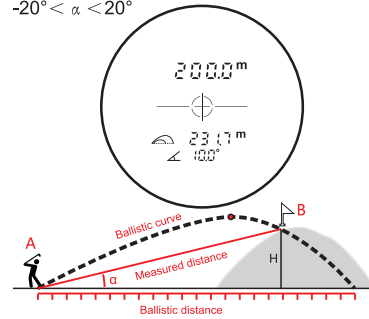
*Continuous measurement: It requires press and hold for 2 seconds to activate the continuous measurement, releases the button to stop the measurement. Short press **M** to switch to 6 measuring mode as below:

a) Golf Slope Adjusted Mode

Distance + slope adjusted distance + Angle

Short press **M** to **golf slope adjusted mode**, aiming at target B and short press **golf icon**; the measured distance between A and B.

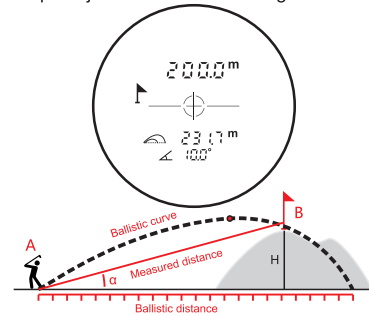
slope adjusted distance, angle will be displayed on the screen accordingly.
Slope adjusted angle/Slope range:
 $-20^\circ < \alpha < 20^\circ$



b) Golf Scanning Mode

Distance+ slope adjusted distance+ Angle (scanning mode)

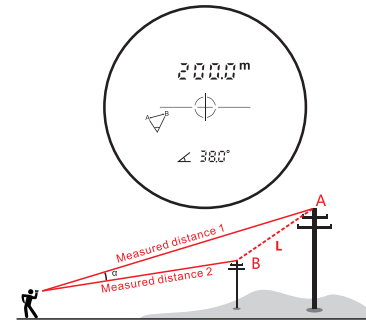
Short press **M** to **golf scanning mode**, aiming at target B, short press **golf icon** (Flag icon is flashing); Scan slowly left and right on both sides of the measured target, after 1.5s, the flagpole stops flashing, the data show as: the measured distance between A and B, Slope adjusted distance and angle.



c) Point-to-Point Ranging Mode

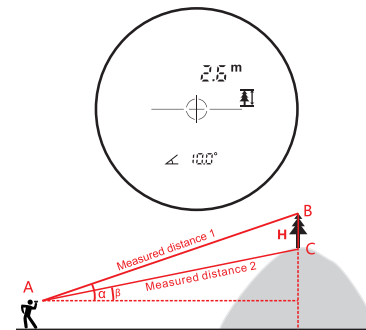
Short press **M** to **activate Point-to-Point (P2P) mode**, aiming at target A, press **golf icon** to measure the distance between point A and the device; move to point B, press **golf icon** to measure the distance between point B and the device. The measured distance between A and B will be displayed at the top of the screen; at the meantime, the distance and angle between A and B will be calculated and displayed on the screen.

*Note: Stand still while measuring the target.



d) Vertical Height (between two points)

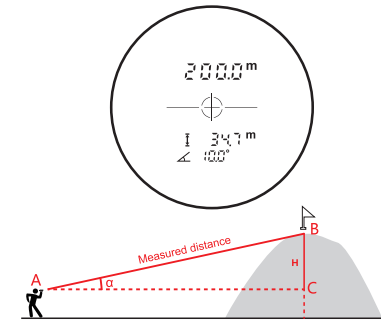
Short press **M** to **activate vertical height measuring mode**. Aim at target B, press **golf icon** to get the distance and angle (angle between the measured distance and horizontal surfaces) between A and B. Move to target C, press **golf icon** to get the distance and angle (angle between the measured distance and horizontal surface) between A and C, the vertical height between B and C will be displayed on the top, the absolute value of the difference between the two angles $|\theta|$ will be displayed at the bottom.



e) Distance, height, angle measurement

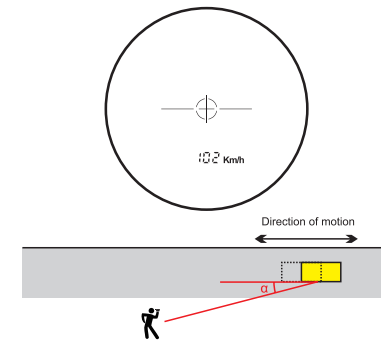
Distance+Height+ Angle

Short press **M** to **activate Distance+ Height+ Angle mode**, aiming at target B, press **golf icon** to get measured distance between A and B, height, and angle between B and C.



f) Speed Measuring Mode

"α" must be less than 10°, the smaller the angle, the higher the accuracy. Short press **M** to activate the speed measuring mode, press **golf icon** aiming at target B and move slightly, the speed of the movement can be measured accordingly. *Speed measurement range: 18-300km/h



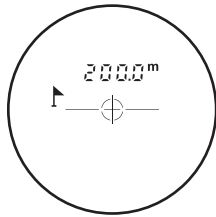
g) Flagpole lock ranging (Close-range priority)

Distance +Tilt angle

This mode is mainly used to measure the distance of small objects in long range under close-range priority principle.


Short press **M** to **flagpole lock ranging mode (close-range priority)**, aiming at target B, short press **golf icon** to get distance between A and B.

This mode is only available after the angle measurement is turned off.

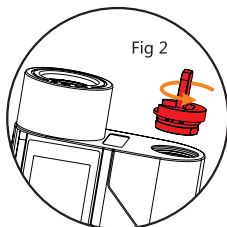
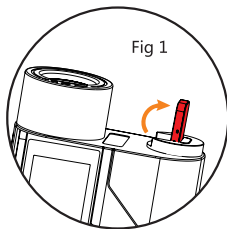


Battery Installation and Instructions

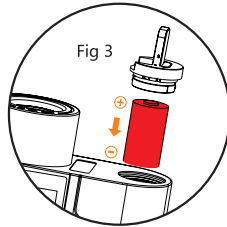
Please use 1x CR2 battery to power on the device.

When  (Low battery) is displayed, please replace the battery in time, otherwise the distance deviation will increase; Please take off the battery if it is not used for long time.

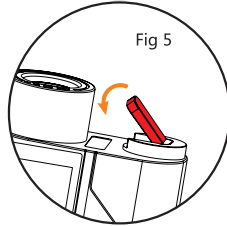
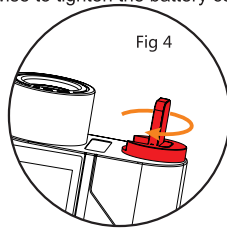
1. Pull up the rotating handle on the battery cover and rotate anti-clockwise until the battery cover is opened.



2. Install 1xCR2 battery, observing correct polarity.



3. The battery assembly is completed, turn it clockwise to tighten the battery cover.



Specification

Model	PF3S Series
Range ^①	600/800/1000/1200/1500m
Battery	3V,CR2*1
Measuring unit	m / Yd
Accuracy	±0.5m
Angle range	-45°~45°
Slope adjusted angle range	-20°~20°
Angle accuracy	±1°
Laser wavelength	905 nm
Eye safety	FDA (CFR 21)
Field of View	7°
Magnification	6X
Objective Lens Diameter	22mm
Eyepiece Lens Diameter	16mm

Exit Pupil Diameter	3.7mm
Diopter	±5D
Diopter ^① Adjustment	Eyepiece adjustment
Operating temperature	0° C ~+40° C
Tripod Screw hole	√
Vertical height (between two points)	√
Point-to-point	√
Continuous measurement	√
Flagpole lock	√
Angle measurement	√
Angle switch	√
Golf Slope adjusted	√
Speed measurement	√
External display	√
External display power switch	√
Speed range	18~300km/h
Display LCD	Transflective LCD
Dimension	118*79*42mm
Weight (Without battery)	223g

① Range

The maximum range shall be different according to different models. The actual range refers to the package.

Notice

1. In order to protect the coating of the lens, do not touch lens with your fingers.
2. Laser rangefinder has been precisely calibrated by instruments, please send back to dealer for repairing instead of disassemble by yourself.
3. When the lens is contaminated, please wipe gently with clean cloth, do not use tough objects to wipe.
4. Avoid collision or heavy load when carry or use, especially keep away from baking or corrosion.
5. Keep the product away from moisture during storage. Please keep it in a dry, cool and well ventilated place to avoid direct sunlight, dust and temperature mutation.

6. Rain and fog will affect the laser ray-path, which may worsen the measurement accuracy. It also may cause error under very bad weather condition.

Contact us



Golf Avenue INC.

Website : www.golfavenue.ca (CAD)
www.golfavenue.com (US)

Telephone : 1(888) 908-5994

Address : 90 Rue Beaubien Ouest, Suite 601B
Montreal, Qc, Canada
H3J 2V1

Copyrights

The product specifications are subject to change without notice, all final interpretation rights were reserved by Mileseeey Technology Co., Ltd. All trademarks, product images, technical parameters are properties of Mileseeey Technology Co., Ltd. All rights reserved.



Warranty Card

Model name		Serial Number	
Invoice Code			
User Info	User Name		
	Address &Tel.		
Date of purchase		warranty period	
Dealer	Dealer's name, address, tel.		
Fault Description			

Warranty Terms

Warranty Period

- This laser distance meter has two years warranty in the precondition of non-artificial damage.

Within the warranty period, certain maintenance costs will be charged under following cases

- Damages caused by improper usage or maintenance of the tool;
- The tool had been disassembled or mended by non-authorized third party;
- Without the warranty card or the purchase invoice;
- The serial number on the warranty card is different with the one on product;

The serial number has been altered or abraded;

- Damaged by any force majeure factors;
- Replacement of the worn out accessories;
- Damages caused by the abnormal factors such as the temperature/humidity in usage;
- Damages caused by the improper operation.

Please send the tool with warranty card & purchase invoice to local dealer if maintenance needed. The warranty card will not be reissued if lost; please keep it carefully for maintenance.

Golf Avenue INC.

Website : www.golfavenue.ca (CAD)
www.golfavenue.com (US)

Telephone : 1(888) 908-5994

Address : 90 Rue Beaubien Ouest, 601B
 Montreal, Qc, Canada
 H3J 2V1

