

Pro**VISIO** light

User Guide



Pulse Laser Range Finder Instruction Manual

Product Overview

Thank you for using MileSeey laser rangefinder, please read the instruction carefully before operation.

PF220 Pro possess great features of small size, light weight , one-hand operation. The body is wrapped with non-slip soft rubber to offer more comfortable user experience.

PF220 Pro adopts TOF (Time of Flight) technology to achieve multi-functions of Golf Slope , flagpole scanning and Vibration.

PF220 Pro can achieve multi-functional features with high accuracy, quick response, intuitive distance display and lower power consumption. It integrated built-in 1000mA lithium battery to make longer working hours. PF220 Pro is an intimate assistant for outdoor activities.

Safety Instructions

⚠ Warning

Do not stare into the laser beam. Eyes can be permanently damaged to look into sun with the device.

Do not aim the device to the sun, it will cause permanent damage to inner components.

Keep the eyepiece away from direct sunlight.

Do not put the device out of the storage temperature of -10~60°C.

♻ Disposal

Everyone is responsible for environmental protection.

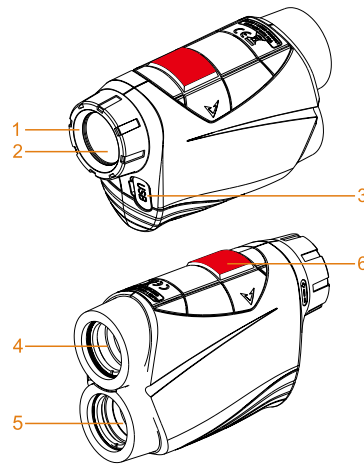
It's prohibited to dispose used batteries together with household waste, please collect used batteries to designated waste station.

This product must not be recycled with household waste. Dispose of the product appropriately in accordance with the national regulations in your country.

③ Scope of Responsibility

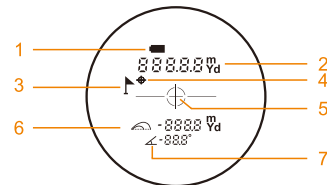
Mileseey will not be responsible for any loss if any use of accessories from other manufacturers without approval from Mileseey.

Appearance



- 1 : Eyepiece knob
- 2 : Eyepiece
- 3 : Micro USB Charging port
- 4 : Objective Lens/Laser Emitter
- 5 : Laser receiving lens
- 6 : Power / Measure button (Short press to power on the device, press and hold to flagpole scanning function)

Icons on LCD Display



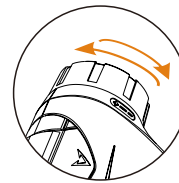
- 1 : Low Battery Indicator
- 2 : Measured distance , measuring unit
- 3 : Flagpole lock Icon(When this icon appears, it indicates the scanning measurement is completed)

- 4 : Golf flagpole scanning Icon(This icon flashing indicates the device is scanning)
- 5 : Bull's eye
- 6 : From Left To Right: Golf slope Icon/ Golf slope Distance / Unit
- 7 : From Left To Right: angle Icon/angle Reading/unit

Initial Operation and Settings

Eyepiece

Adjust the eyepiece knob to focus the target.



Power ON/OFF

1. Press (Power button) to power ON.
2. Automatically switch off after 8s of inactivity.

Unit Change

In the off status, press and hold the power button until device is vibrating to switch the units m (meter) and Yd (yard). Each unit vibrates 3 times, continue to press and hold the button to switch to the next unit.

Distance Measurement

*Please adjust the eyepiece to focus the target before measuring.

In the course of the measurement, if the target reflection is weak or is beyond the measuring range, it will display as "----"

*The measurement range will be affected by materials of the target, inclined angle of the target surface, visibility of the weather etc.

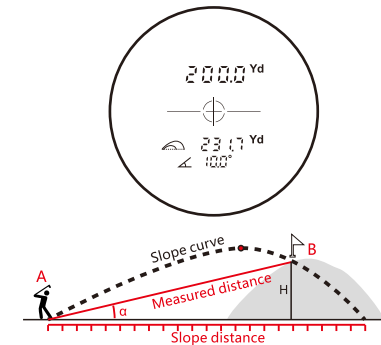
In general, if the target surface is smooth and bright with larger area, the beam is perpendicular to the target surface and the weather is cloudy

without fog, the measurement range will be longer, and vice versa.


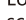

Golf Slope Mode

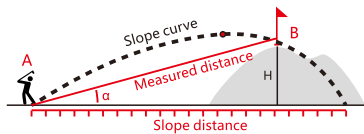
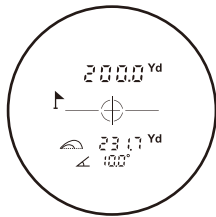
Distance+ Slope distance+ Angle

Short press (Slope mode button) to (Golf Slope mode), aiming at target B and short press (Power button); the measured distance between A and B, slope distance, angle will be displayed on the screen accordingly. Slope adjusted angle/Slope range: $-20^\circ < \alpha < 20^\circ$

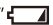


Flagpole scanning mode(close-range priority)

Long press  to activate flagpole scanning mode, aiming at target B,  flashing indicates the device is scanning, when device is vibrating and  is displayed in the upper left corner of the screen, scanning measurement is completed, the distance from A to B, the Slope distance and the angle α will be displayed on the screen accordingly.



Charging instruction

The device has a built-in 1000mA lithium battery, when "" (Low battery indicator) is displayed, please use original USB cable to charge.

Specification

Model	PF220
Range	600m
Power	Built-in Lithium battery
Measuring Units	m, Yd
Accuracy	±0.5m
Laser Wavelength	905 nm
Eye Safety	FDA (CFR 21)
Field of View	6°
Magnification	6X
Objective Lens Diameter	22mm
Eye-piece Lens Diameter	16mm
Exit Pupil Diameter	3.7mm
Diopter	±5D
Diopter Adjustment	Eye-piece adjustment
Operating Temperature	0° C ~ +40° C
Golf Slope adjusted	√
Golf flagpole scanning	√
LCD Display	Transflective LCD
Dimension	108*72*40mm
Weight(With battery)	170g

1 Range
The maximum range shall be different according to different models. The actual range refers to the package.

Notice

- In order to protect the coating of the lens, do not touch lens with your fingers.
- Laser rangefinder has been precisely calibrated by instruments, please send back to dealer for repairing instead of disassemble by yourself.
- When the lens is contaminated, please wipe gently with clean cloth, do not use tough objects to wipe.
- Avoid collision or heavy load when carry or use, especially keep away from baking or corrosion.
- Keep the product away from moisture during storage. Please keep it in a dry, cool and well ventilated place to avoid direct sunlight, dust and temperature mutation.
- Rain and fog will affect the laser ray-path, which may worsen the measurement accuracy. It also may cause error under very bad weather condition.

Contact us



Golf Avenue INC.

Website : www.golfavenue.ca (CAD)
www.golfavenue.com (US)

Telephone : 1(888) 908-5994

Address : 90 Rue Beaubien Ouest, Suite 601B
Montreal, Qc, Canada
H3J 2V1

Copyrights

The product specifications are subject to change without notice, all final interpretation rights were reserved by Milesee Technology Co., Ltd. All trademarks, product images, technical parameters are properties of Milesee Technology Co., Ltd. All rights reserved.



Warranty Card

Model name	Serial Number
Invoice Code	
User Info	User Name
	Address & Tel.
Date of purchase	warranty period
Dealer	Dealer's name, address, tel.
Fault Description	

Warranty Terms Warranty Period

- This laser distance meter has two years warranty in the precondition of non-artificial damage.

Within the warranty period, certain maintenance costs will be charged under following cases

- Damages caused by improper usage or maintenance of the tool;
- The tool had been disassembled or mended by non-authorized third party;
- Without the warranty card or the purchase invoice;
- The serial number on the warranty card is different with the one on product;
- The serial number has been altered or abraded;
- Damaged by any force majeure factors;
- Replacement of the worn out accessories;
- Damages caused by the abnormal factors such as the temperature/humidity in usage;
- Damages caused by the improper operation.

Please send the tool with warranty card & purchase invoice to local dealer if maintenance needed. The warranty card will not be reissued if lost; please keep it carefully for maintenance.

Golf Avenue INC.

Website : www.golfavenue.ca (CAD)
www.golfavenue.com (US)

Telephone : 1(888) 908-5994

Address : 90 Rue Beaubien Ouest, 601B
Montreal, Qc, Canada
H3J 2V1

